

WORKFLOW & ERGONOMICS

Improvements in the Hybrid OR

Ramon L. Varcoe

Associate Professor of Vascular Surgery

Prince of Wales Hospital and University of New South Wales

Sydney, Australia

Disclosure

Speaker name:

.....Ramon L. Varcoe.....

I have the following potential conflicts of interest to report:

- Consulting: Abbott Vascular, Medtronic, Boston Scientific, Intact Medical, Surmodics, Intervene

Prince of Wales Hospitals, Sydney Australia

- Over 618 inpatient beds between collocated Public and Private Hospitals
- 29 operating theatres
- 2 Hybrid ORs



Prince of Wales Hospitals, Sydney Australia

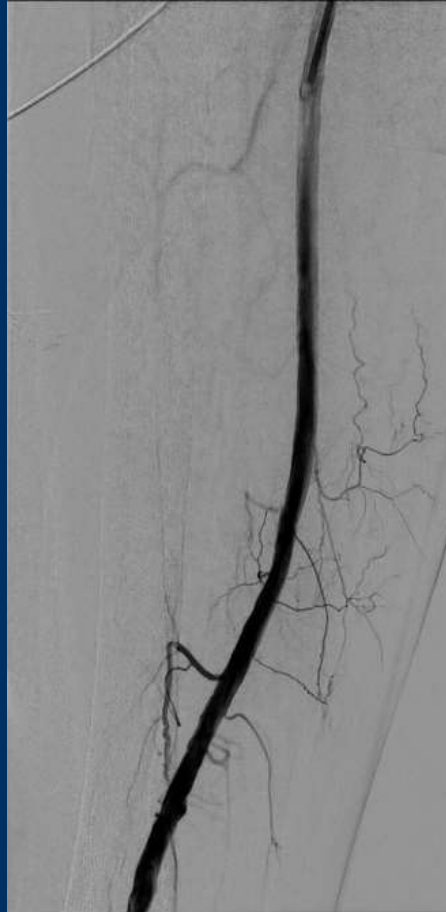
Hospital case mix:

- Cardiothoracic surgery
- Colorectal surgery
- Ear, nose and throat surgery
- Endovascular & Vascular surgery
- Gastroenterology and Endoscopy
- General Surgery
- Hand surgery
- Interventional neuroradiology
- Liver surgery
- Neurosurgery including minimal invasive neurosurgery
- Oncology
- Oral, dental and faciomaxillary surgery
- Orthopaedics
- Paediatrics
- Plastic, reconstructive and cosmetic surgery
- Spinal surgery inclusive minimally invasive surgery
- Urology

Prince of Wales Hospitals, Sydney Australia

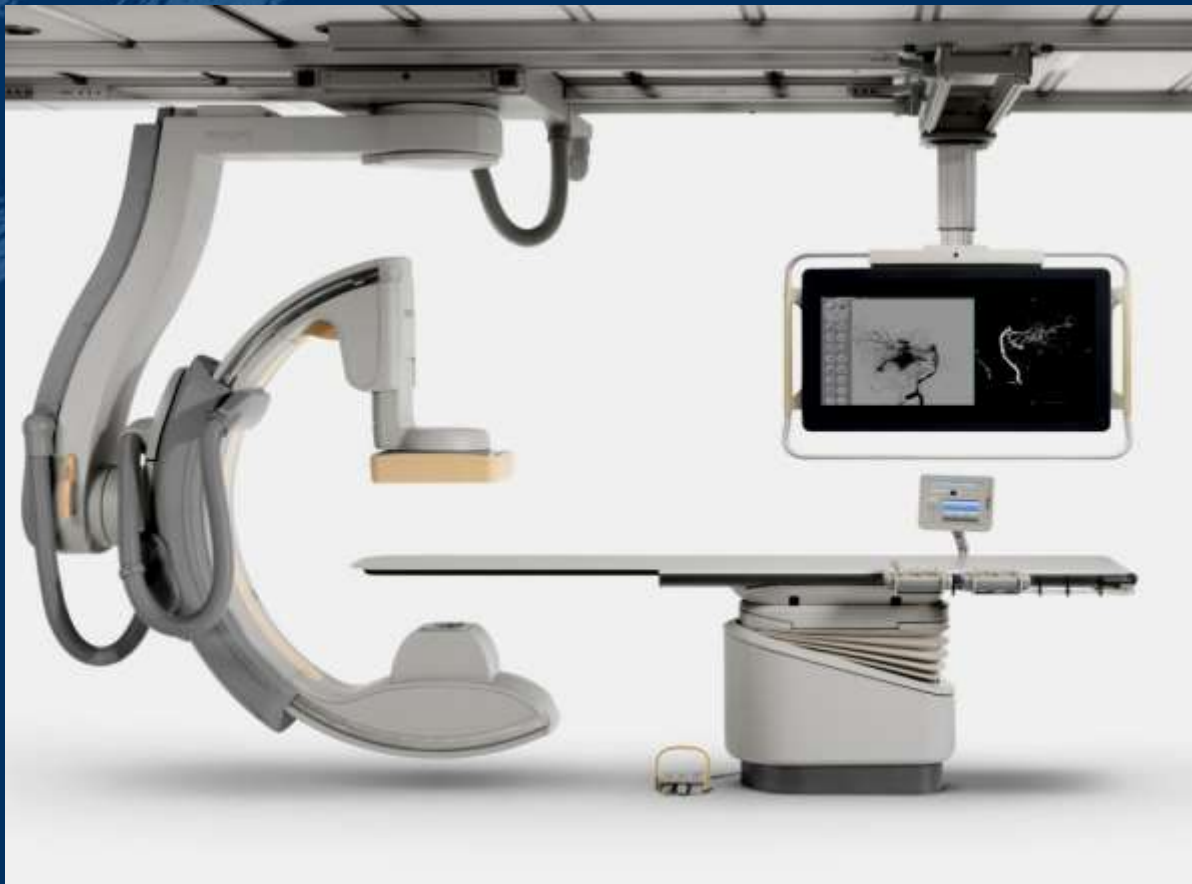
Hybrid OR case mix

- Endovascular Surgery
- Vascular Surgery
- Oncology
- Paediatrics
- General Surgery
- Pain management



Prince of Wales Hospitals, Sydney Australia

Current Hybrid OR – Allura FD20 with Clarity, Ceiling mounted



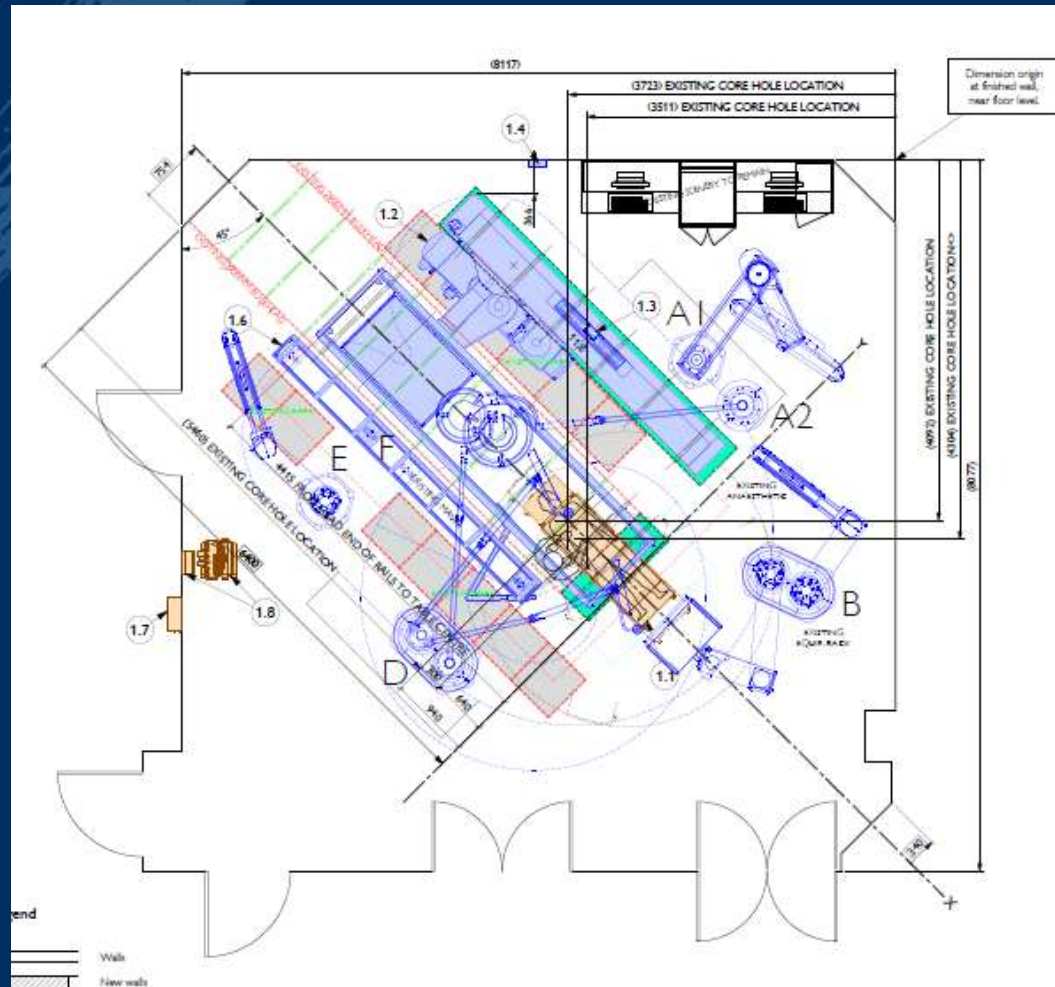
Prince of Wales Hospitals, Sydney Australia

Current Hybrid OR – Allura FD20 with Clarity, Ceiling mounted



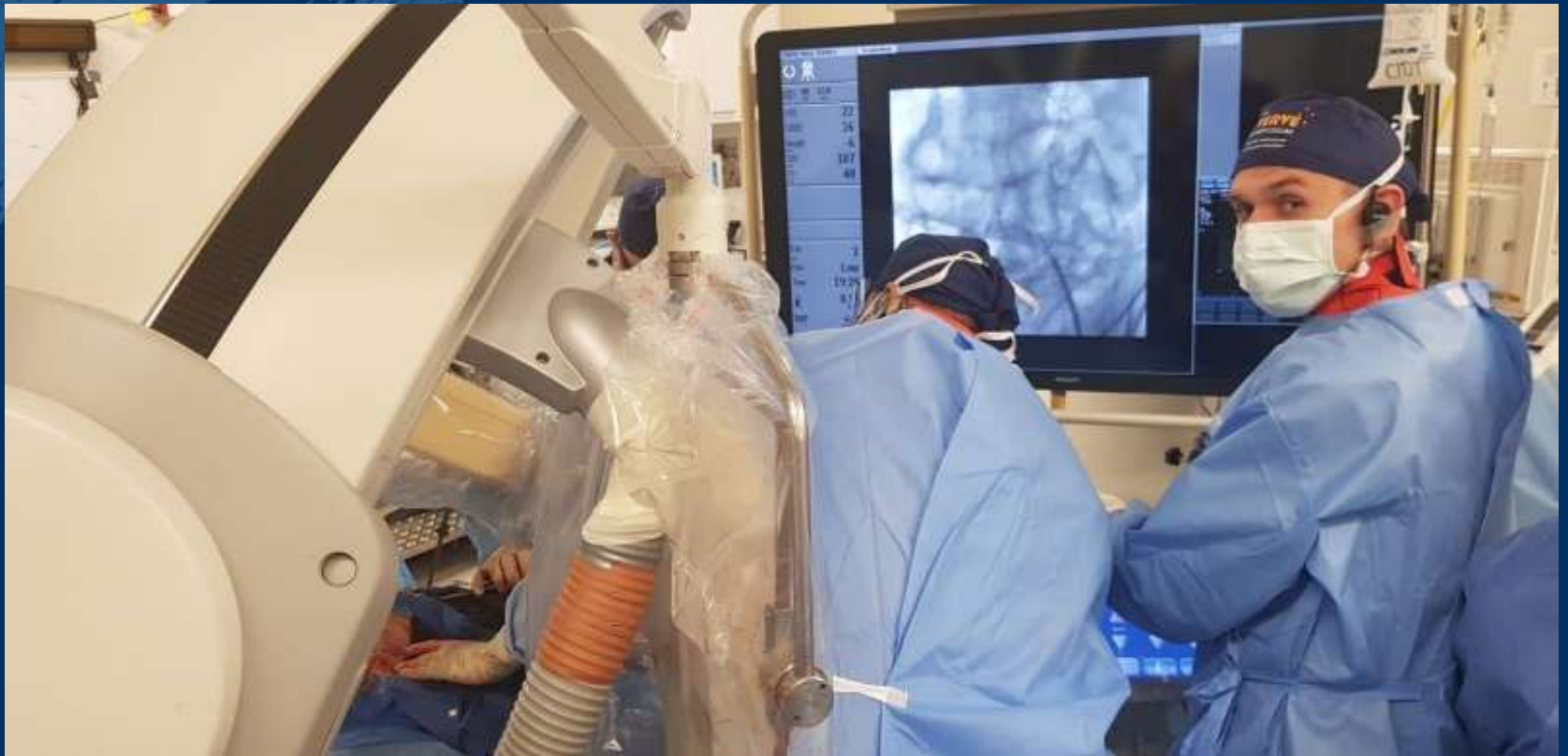
Prince of Wales Hospitals, Sydney Australia

Current Hybrid OR – Allura FD20 with Clarity, Ceiling mounted



Prince of Wales Hospitals, Sydney Australia

Current Hybrid OR – Allura FD20 with Clarity, Ceiling mounted



Philips Flexarm with Azurion Operating System



Prince of Wales Hospitals, Sydney Australia

3 Key Benefits of FlexArm for our lab environment

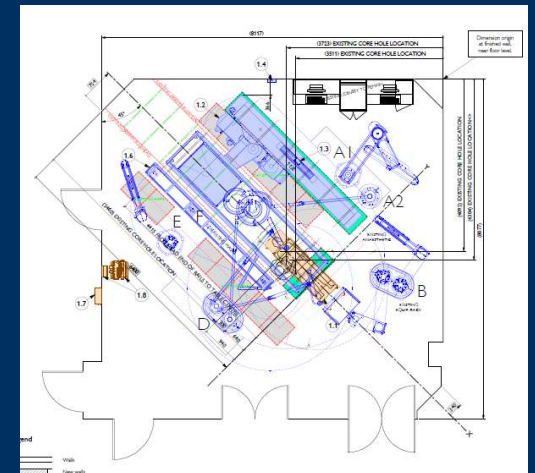
1. Flexible working positions



2. Ease of use



3. Ability to fit into current lab space



Prince of Wales Hospitals, Sydney Australia

3 Key Benefits of FlexArm for our lab environment

1. Flexible working positions



Prince of Wales Hospitals, Sydney Australia

3 Key Benefits of FlexArm for our lab environment

2. Ease of use

- One control joystick to move system gantry
- No need to worry about system movement – patient oriented
- Quick to learn to drive system

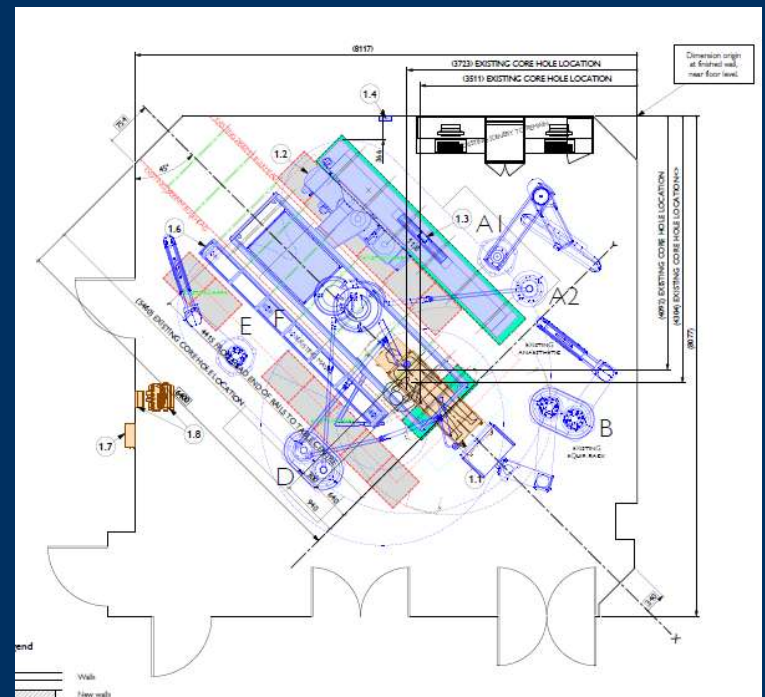


Prince of Wales Hospitals, Sydney Australia

3 Key Benefits of FlexArm for our lab environment

- Fits in current room space
- Minimise building works
- Minimise downtime

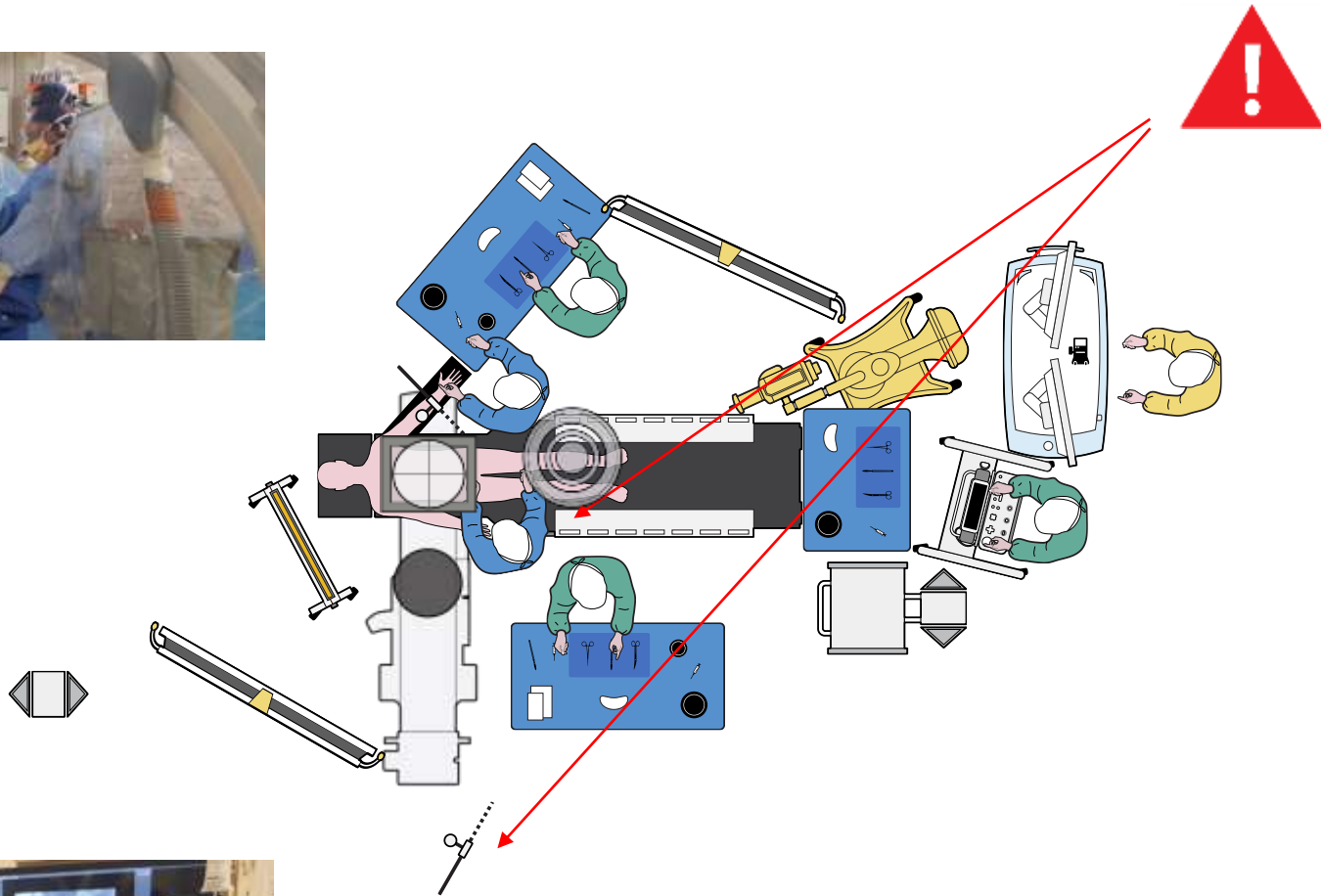
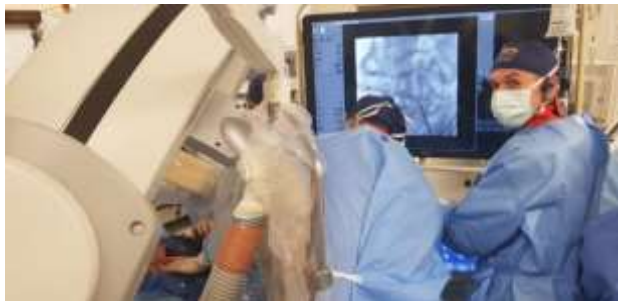
3. Ability to fit into current lab space



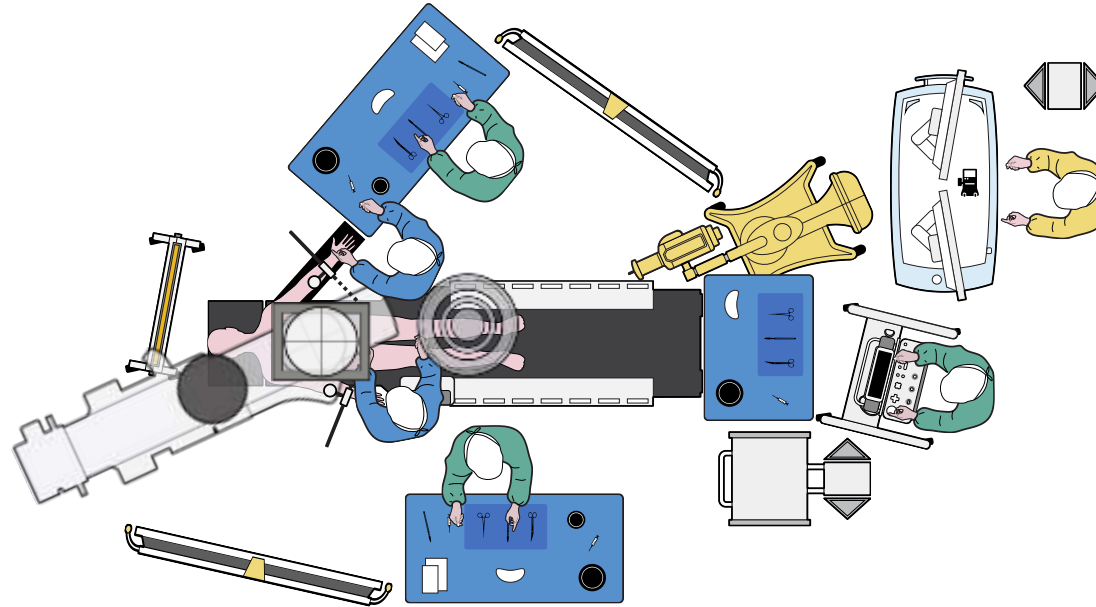
A characteristic aspect for the vascular surgeon are the sterility demands. Furthermore, the region of interest ranges from the chest down to the feet. Therefore, ergonomics and sterility are the vascular surgeon's primary concerns.

Procedure	Frequency	Anaesthesia	Access	Projections
Complex aortic intervention (e.g., EVAR, FEVAR, TEVAR)	++	General	Femoral (70%)	± 30-40 deg in all directions and LAT
Peripheral	++	General/Local	Femoral (80%)	AP & 45 deg RAO/LAO
Peripheral Pedal Access	++	General/Local		AP & 45 deg RAO/LAO
Fistuloplasty	++	Local	Radial/Cephalic vein	Craniocaudal ±10 deg

- EVAR (complex)

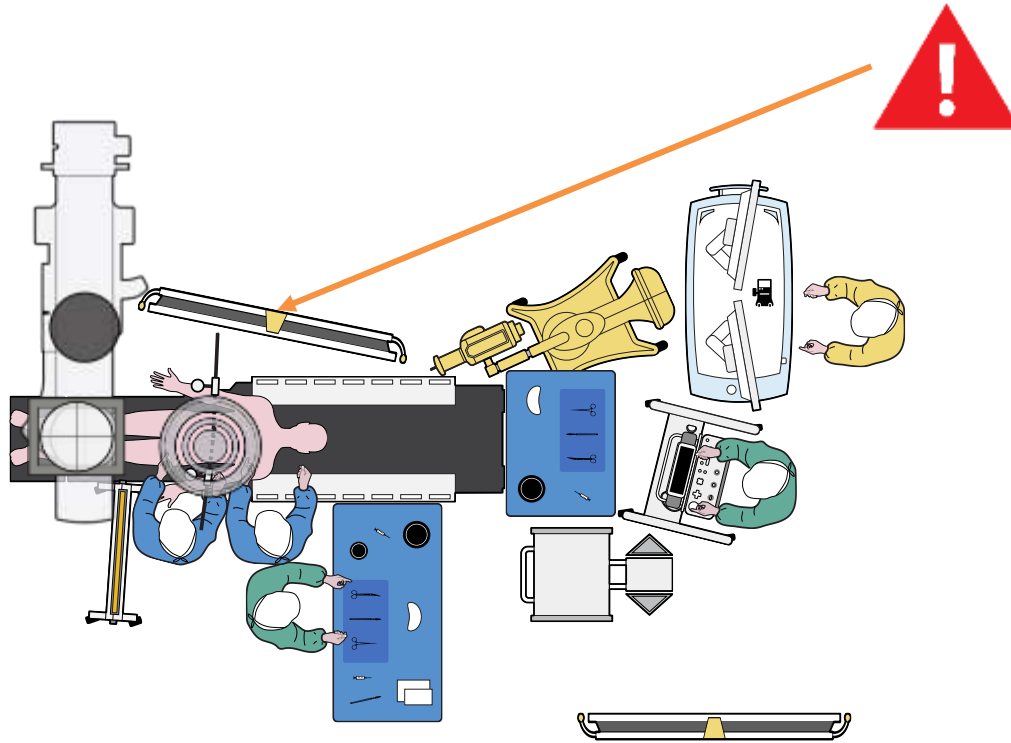


- EVAR (complex): **FlexArm**

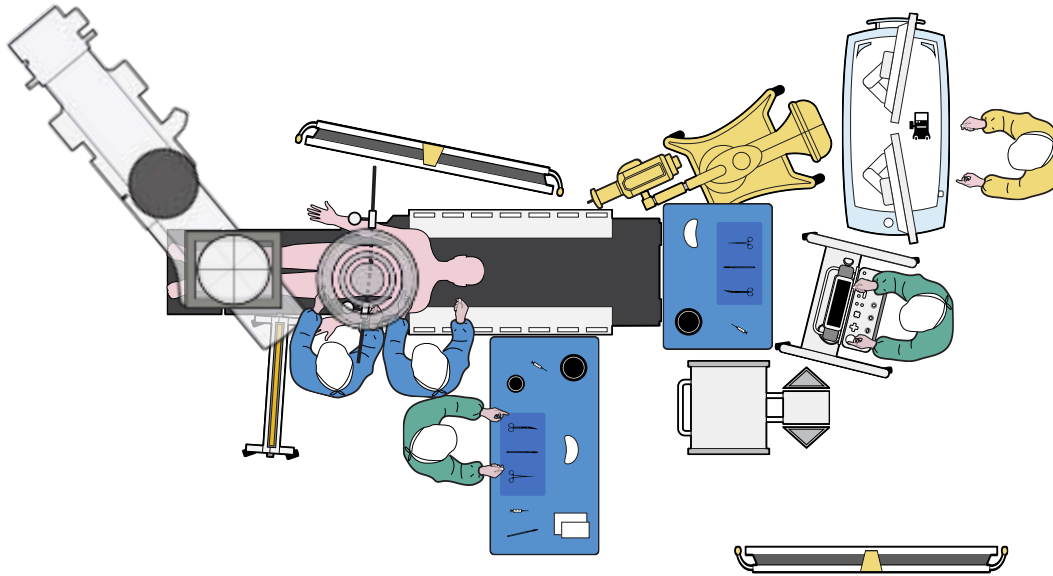


Need to move to 90 degrees Z-rotation for lateral projection

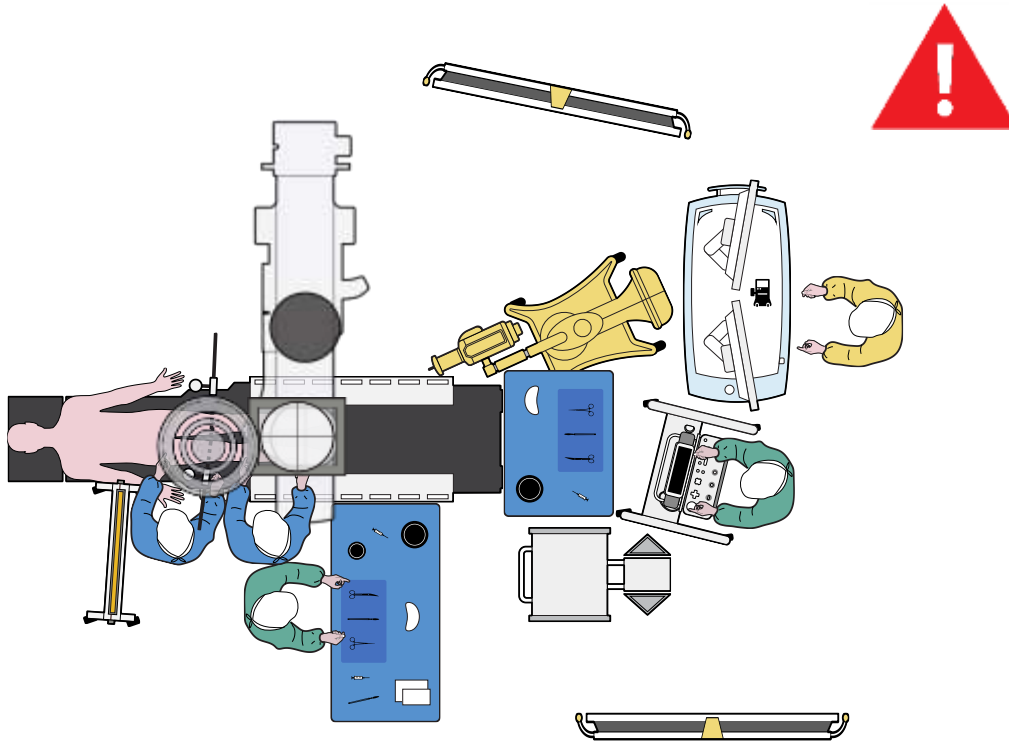
- Antegrade Peripheral



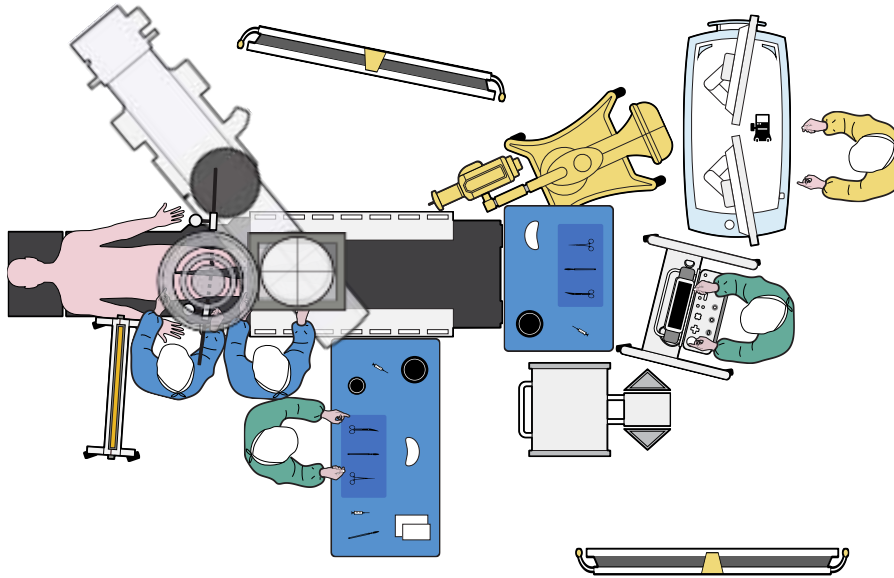
- Antegrade Peripheral: **FlexArm**



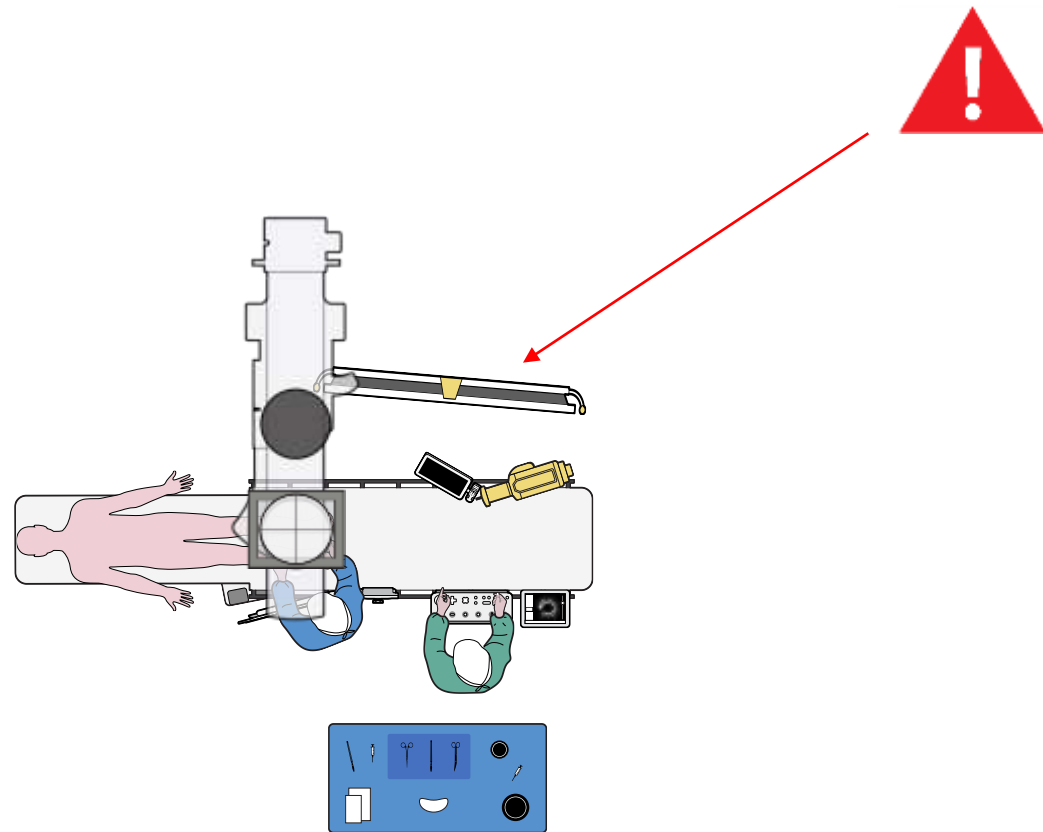
- Retrograde Up & over Peripheral



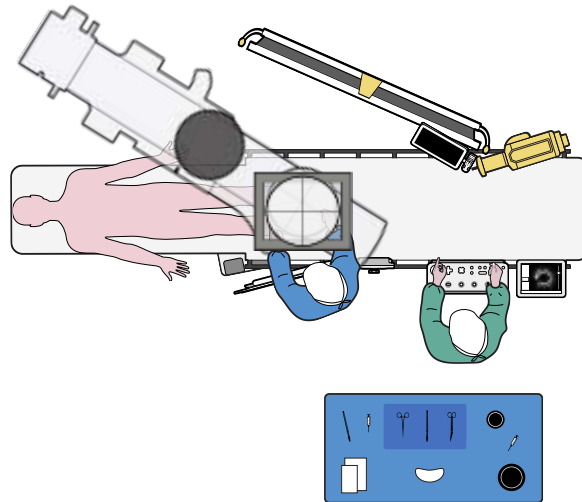
- Retrograde Up & over Peripheral: **FlexArm**



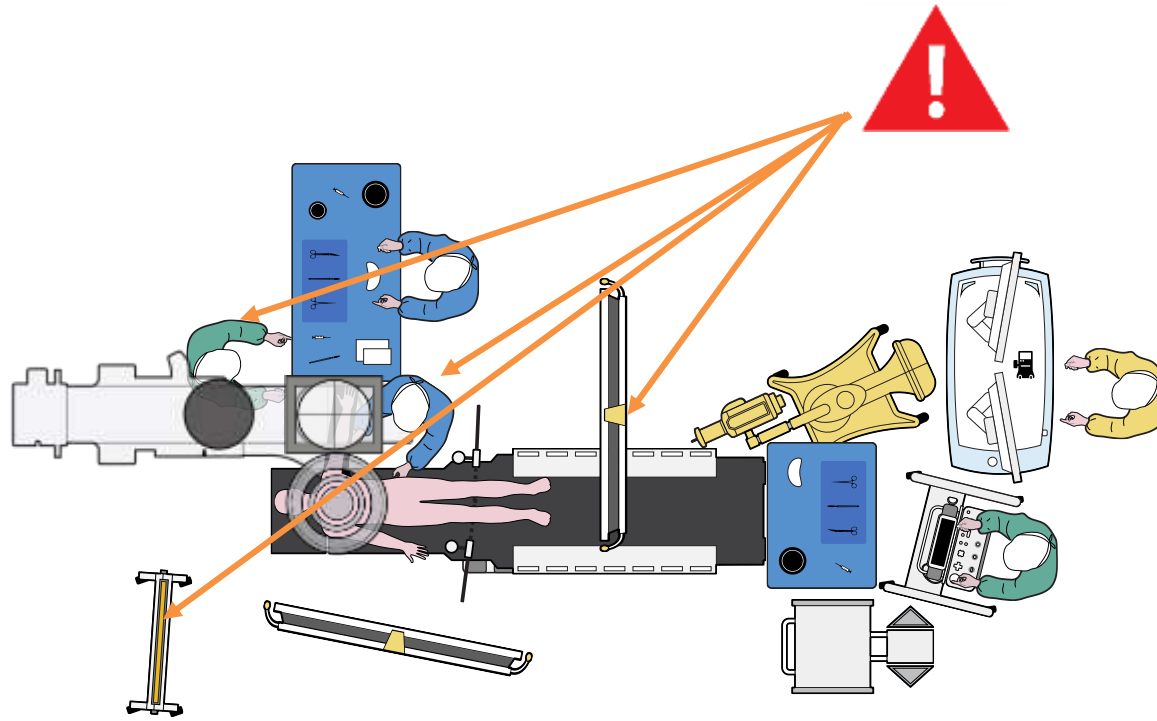
- Peripheral (pedal access)



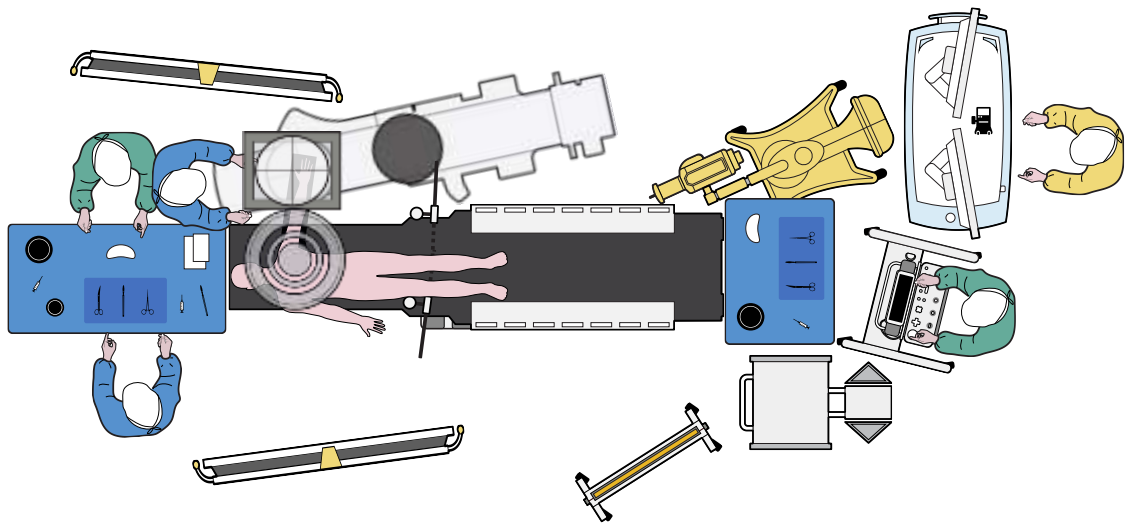
- Peripheral (pedal access): **FlexArm**



- Fistuloplasty



- Fistuloplasty: **FlexArm**



CONCLUSION

- All hybrid operating rooms are different (Both in Size and Shape)
- All benefit from consideration of sterility and ergonomics
- A versatile, patient-centric C-arm configuration assists with ergonomics and workflow



WORKFLOW & ERGONOMICS

Improvements in the Hybrid OR

Ramon L. Varcoe

Associate Professor of Vascular Surgery

Prince of Wales Hospital and University of New South Wales

Sydney, Australia